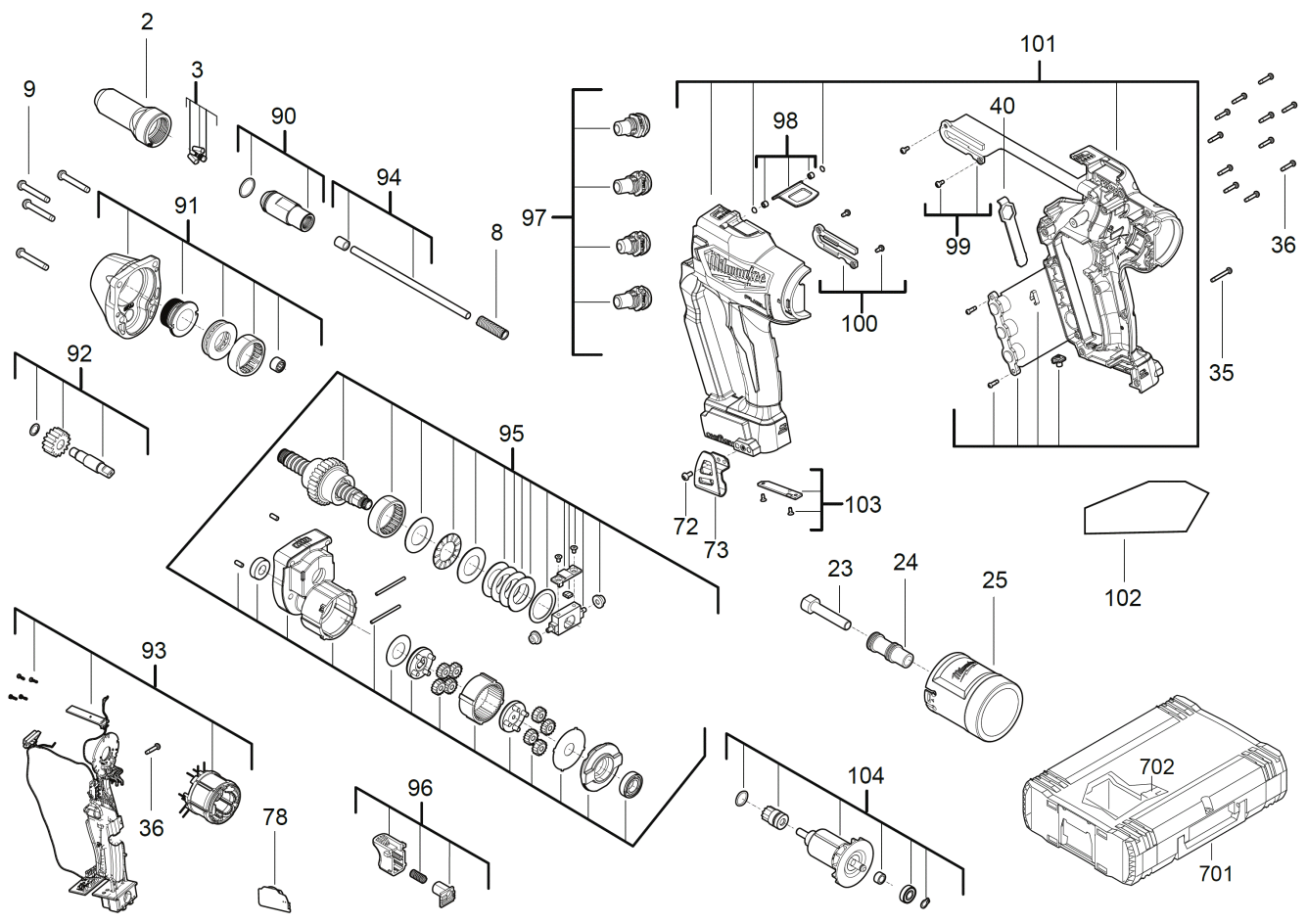


M18ONEFPRT-0X RIVET TOOL XXX

4933478601 - M18ONEFPRT-0X - 4000497598





Position	Quantity	Description	Part number	EAN
0002 1	1	SLEEVE	4931479221	4058546367893
0003 2	1	SET	4931494033	4058546429140
0008 3	1	SPRING	4931479223	4058546367916
0009 4	4	SCREW	4931435158	4002395860722
0023 5	1	GUIDE	4931479224	4058546367923
0024 6	1	GUIDE SLEEVE	4931479225	4058546367930
0025 7	1	CUP	4931479226	4058546367947
0035 8	1	SCREW	4931466865	4058546280826
0036 9	12	SCREW	660570005	4002395827329
0040 10	1	WRENCH	4931495704	4058546493721
0072 11	1	SCREW	4931465986	4058546272036
0073 12	1	HOOK	4931436134	4002395879427
0078 13	1	ELECTRONIC	4931466275	4058546274924
0090 14	1	SLEEVE	4931479228	4058546367961
0091 15	1	GEAR CASE	4931479229	4058546367978
0092 16	1	OUTPUT SHAFT KIT	4931479230	4058546367985
0093 17	1	ELECTRONIC	4931479231	4058546385460
0094 18	1	PLUNGER RODS	4931479232	4058546385477
0095 19	1	GEAR BOX ASSY	4931479233	4058546385484
0096 20	1	SWITCH	4931479234	4058546385491
0097 21	1	M18 Fuel Rivet Tool Retention Nose SET	4932493546	4058546484170
0098 22	1	SUSPENSION BOW	4931479235	4058546385507
0099 23	1	LOCKING PIECE	4931479236	4058546385514
0100 24	1	LOCKING PIECE	4931479237	4058546385521
0101 25	1	HOUSING	4931479238	4058546385538
0102 26	1	RATING PLATE	4931495705	4058546493738
0103 27	1	COVER	4931479240	4058546385552
0104 28	1	ROTOR	4931479241	4058546385569
0701 29	1	HD Box 1 - 1pc	4932453385	4002395146376
0702 30	1	INSERT	4931479242	4058546385576